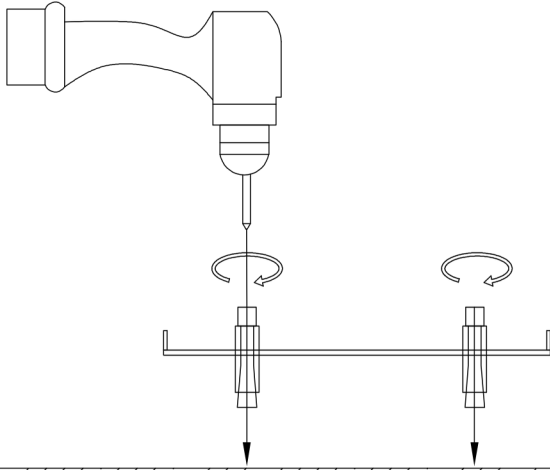
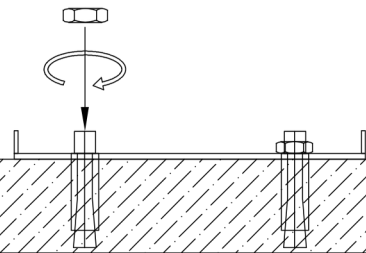


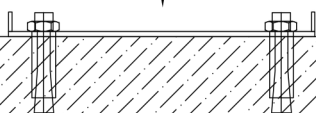
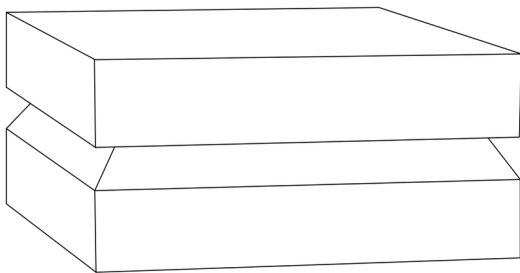
1. Align the hole position and drive the explosive screw into the ground



2. Tighten the nut to secure it



3. Insert the lamp body and align the inner and outer holes



4. Tighten the screws on the side to fix the base and lamp body

