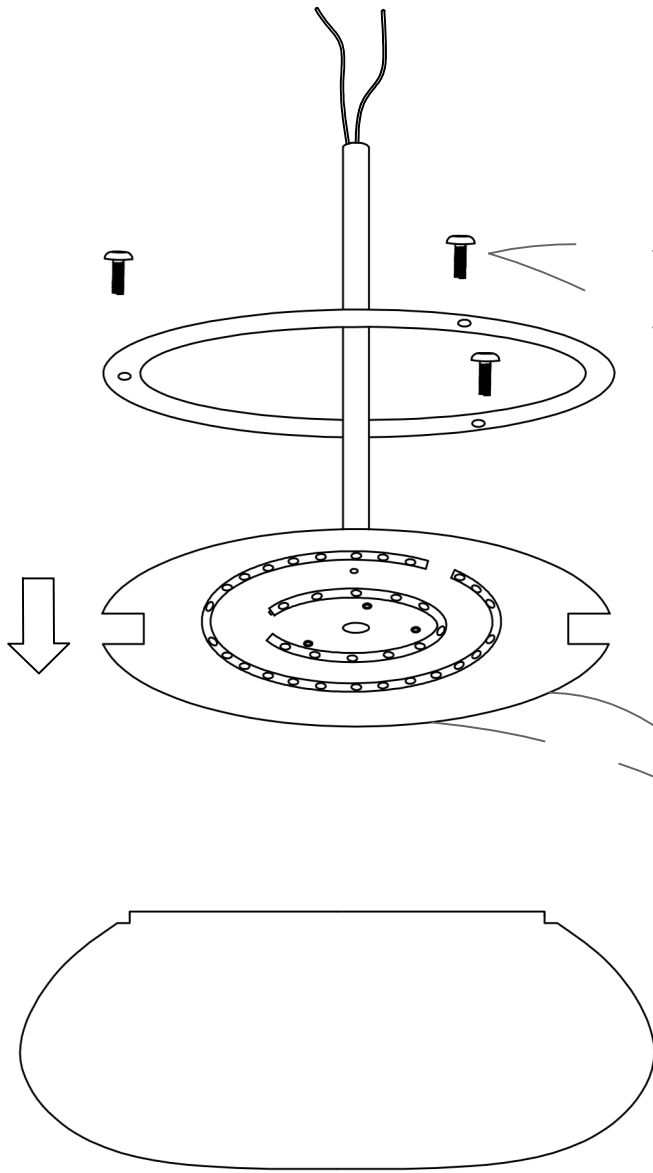
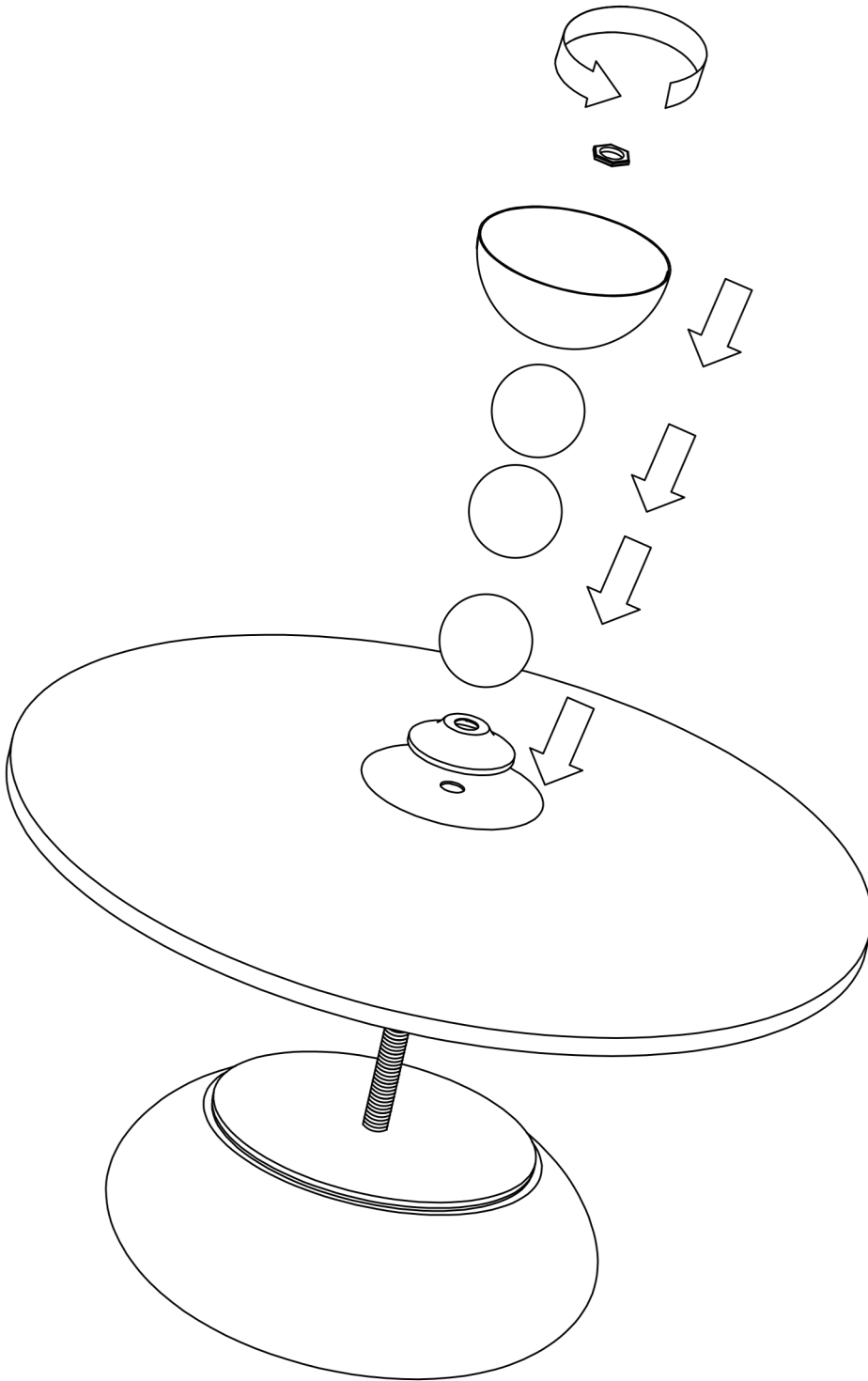


1



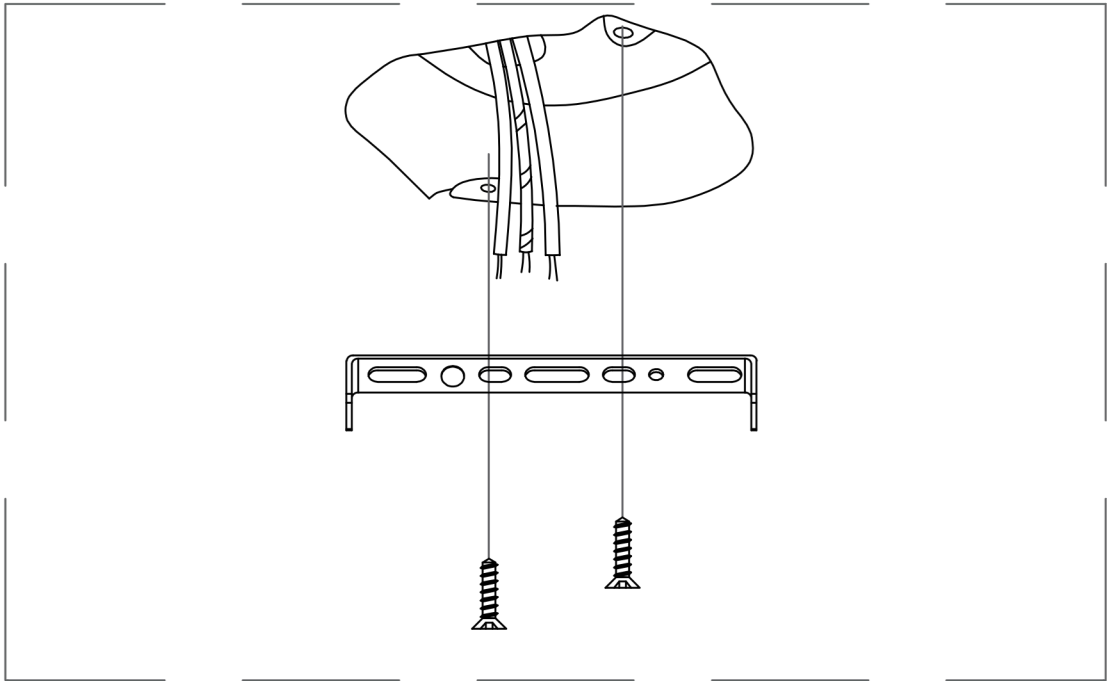
Fixed lampshade

2

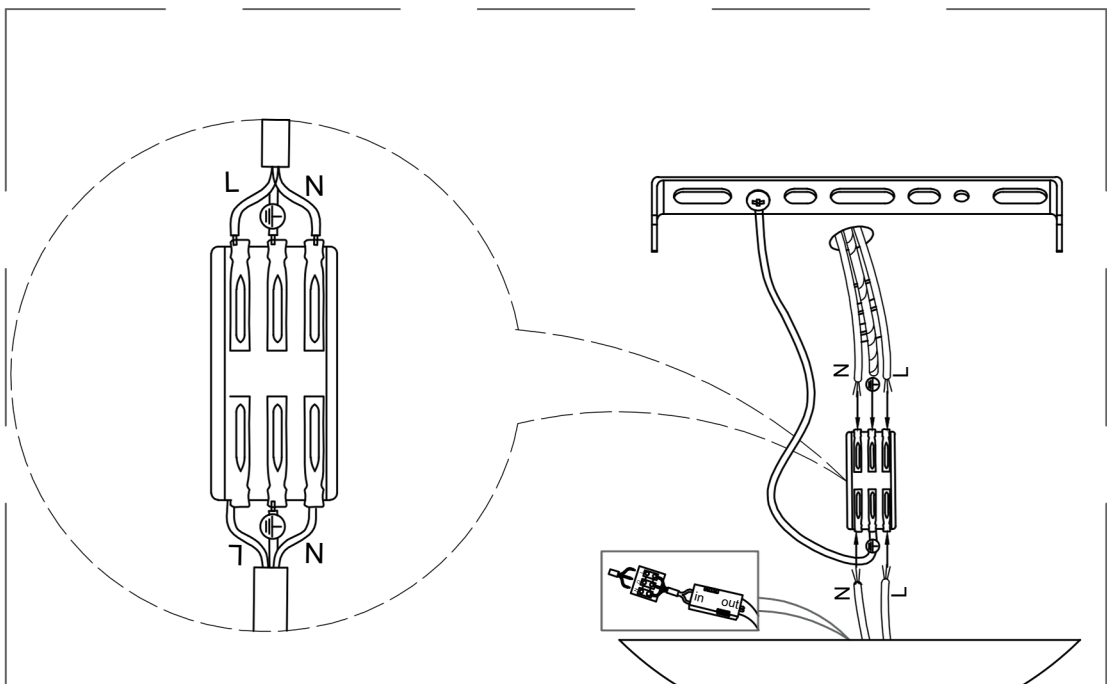


Assemble the lamp body and finally fix it with nuts

3

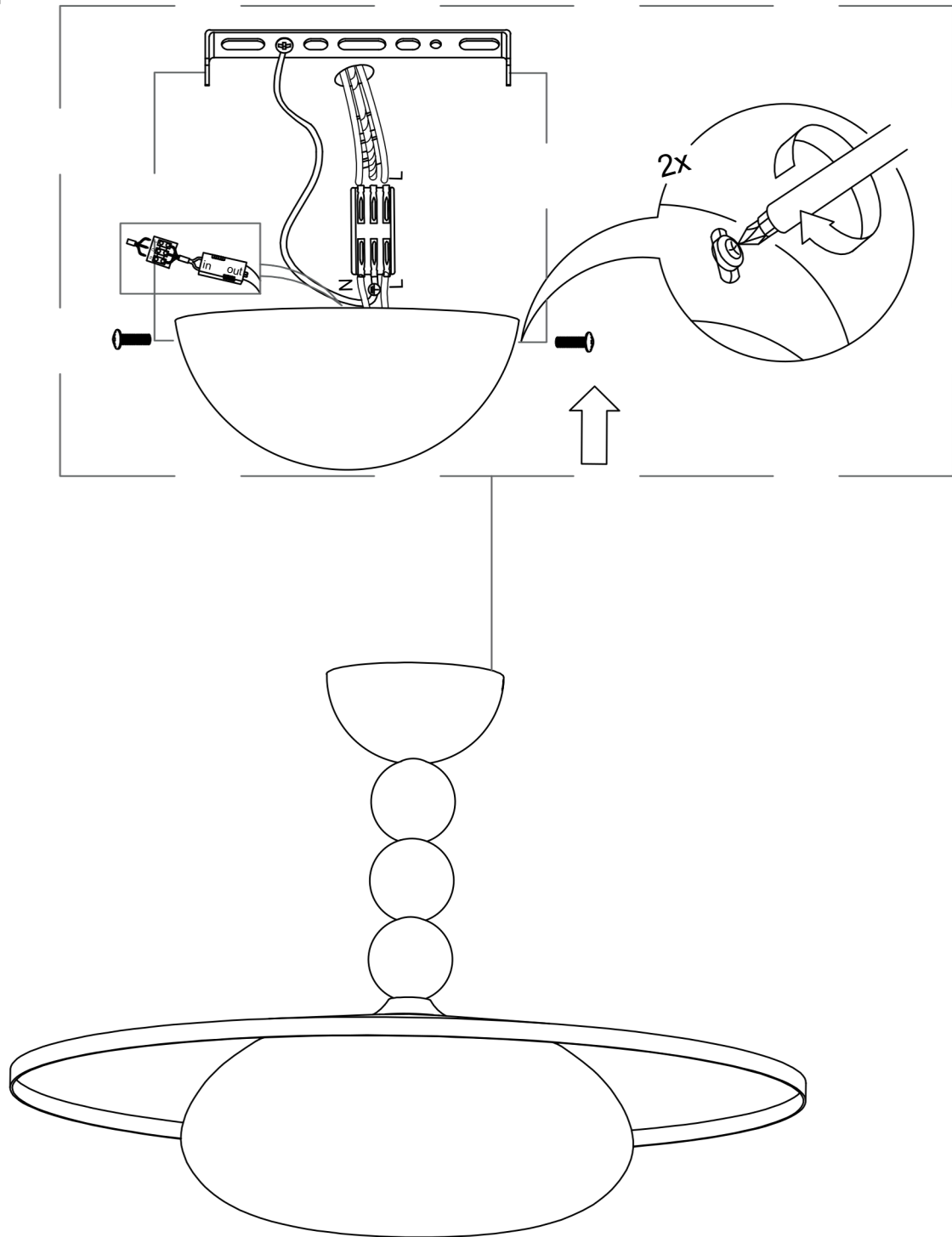


Fasten the hanging board to the ceiling with screws



The wires in the home are connected to the wires in the lamps through the wire terminals

4



The side screws fix the lamp body to the ceiling plate