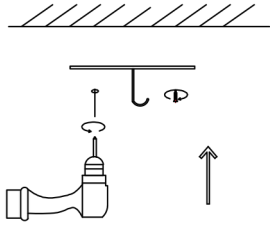
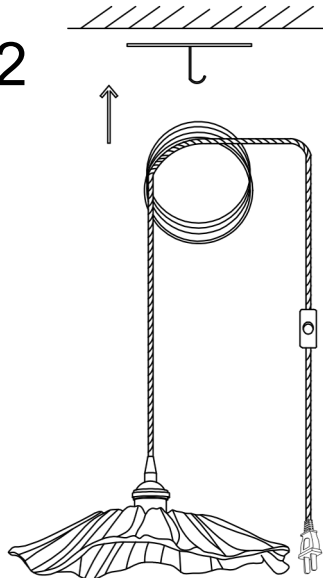


1

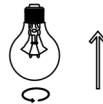


Put the hook on the ceiling

2



Install bulb



The wire hangs from the hook, and the plug is plugged into the switch to power it up