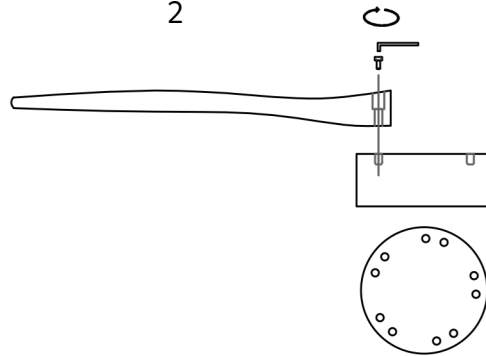


1

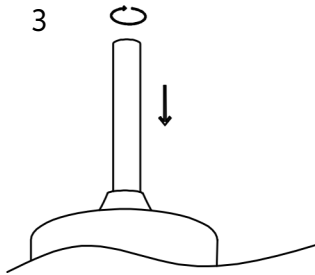
First, take out all the accessories

2



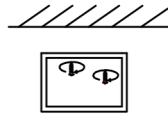
Lock the fan blade to the lamp body and tighten it

3



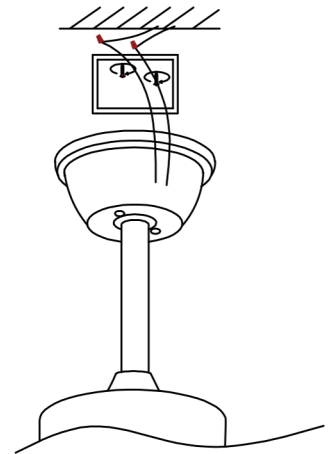
Install the fan light boom

4



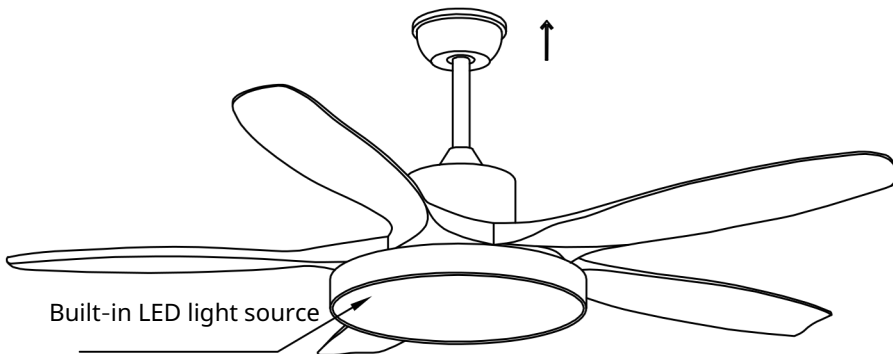
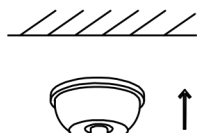
Install the hanging plate on the ceiling

5



The electric wires in the home connect to the light fixtures

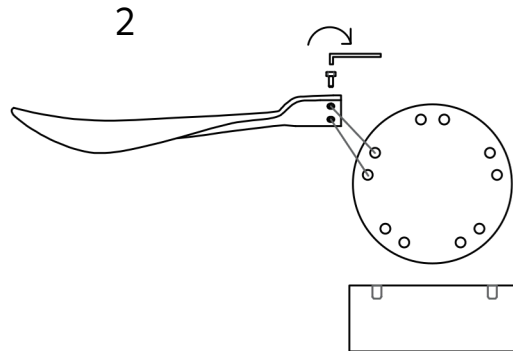
6



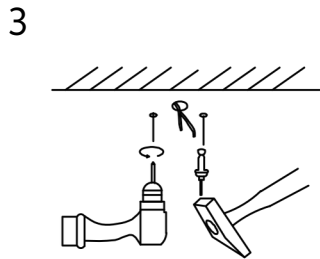
Built-in LED light source

Install the lamp body on the hanging plate

1
First, take out all the accessories

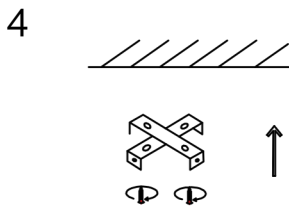


Lock the fan blade to the lamp body and tighten it

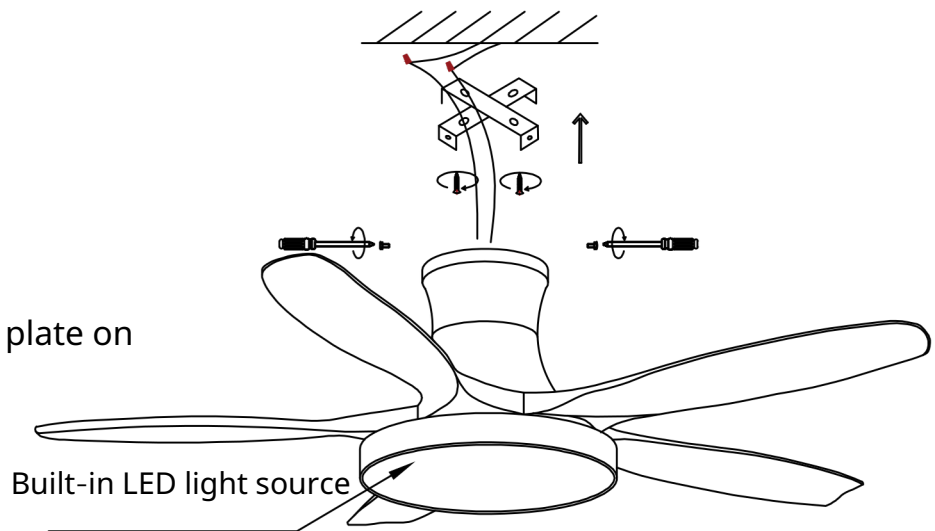


3
Drill holes in the ceiling and insert expansion screws

5
The electric wires in the home connect to the light fixtures



4
Install the hanging plate on the ceiling



6
Install the lamp body on the hanging plate