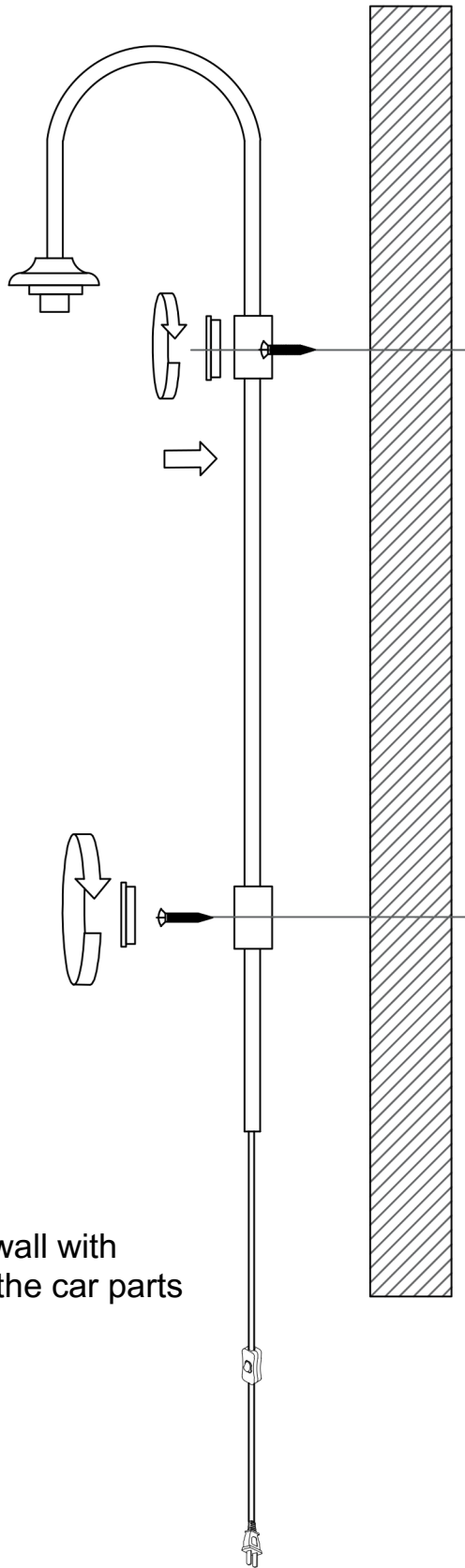
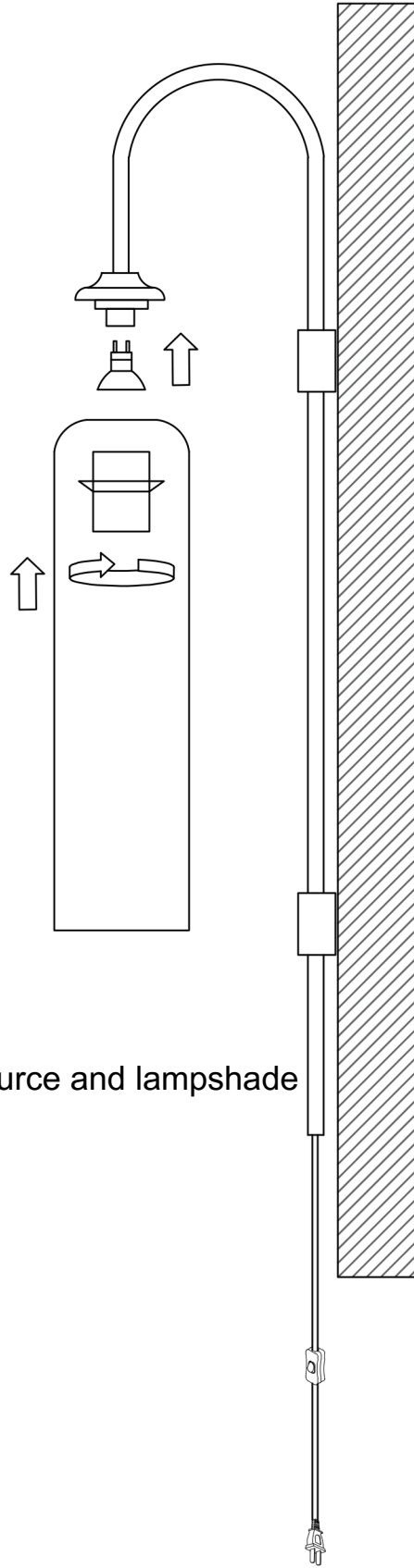


1



Fix the lamp body to the wall with screws, and then tighten the car parts

2



Installing light source and lampshade