

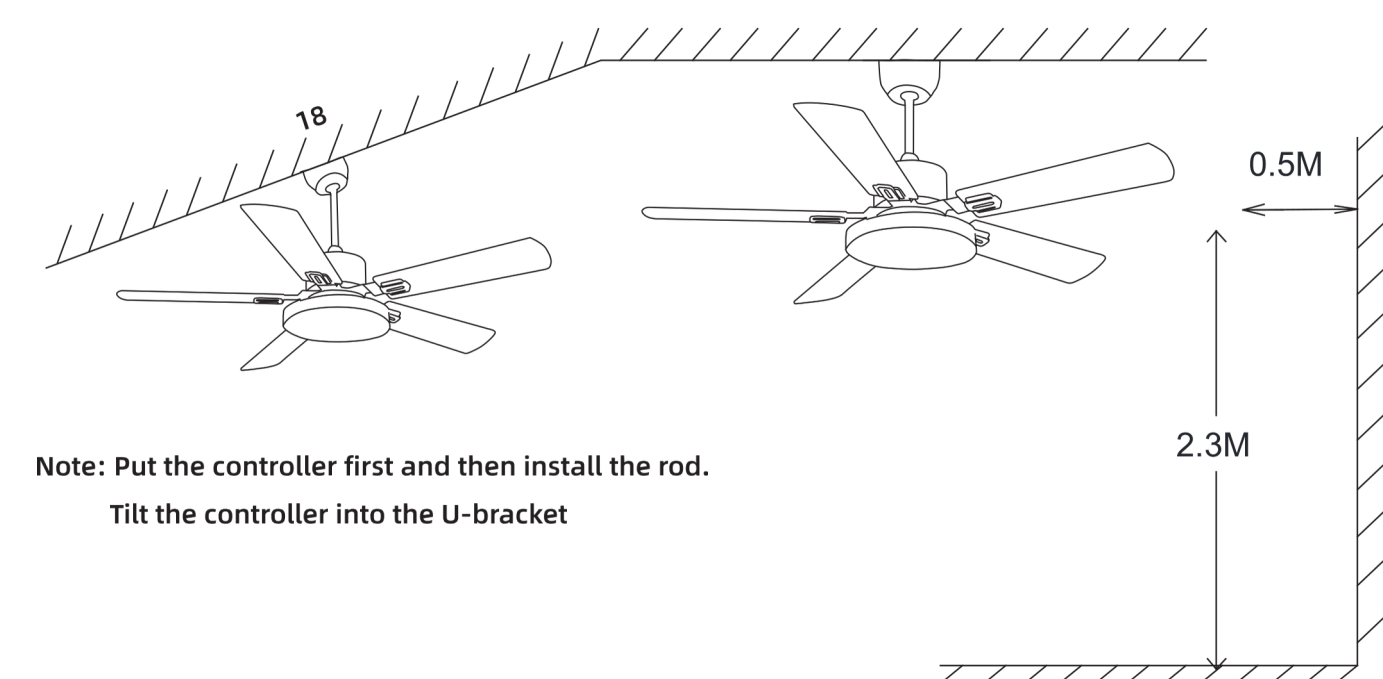
Safety Rules

Please read all safety instructions prior to installing your ceiling fan and save this document for future reference. If you are in doubt with any of the information provided or difficulty installing your fan, please the email customer service.

- Before you begin installing the fan, shut power off the circuit breaker for the fuse box.
- Read all instructions and safety information before installing your new fan.
- All wiring must be in accordance with national and local electrical codes. ANSIN/FPA 70. If you are unfamiliar with wiring, use a qualified electrician.
- Do not bend the blades while installing, balancing the blades, or cleaning the fan.
- Do not insert foreign objects in between rotating fan blades.
- Make sure the installation site you choose allows the fan blades to rotate without any obstructions.
- To Reduce the Risk of Electric Shock, Disconnect the electrical supply circuit before installing the light kit.
- After you install the fan, make sure that all mounting components are secured to prevent the fan from falling.
- Turn the fan off and wait for the blades to stop completely before performing any maintenance or cleaning.

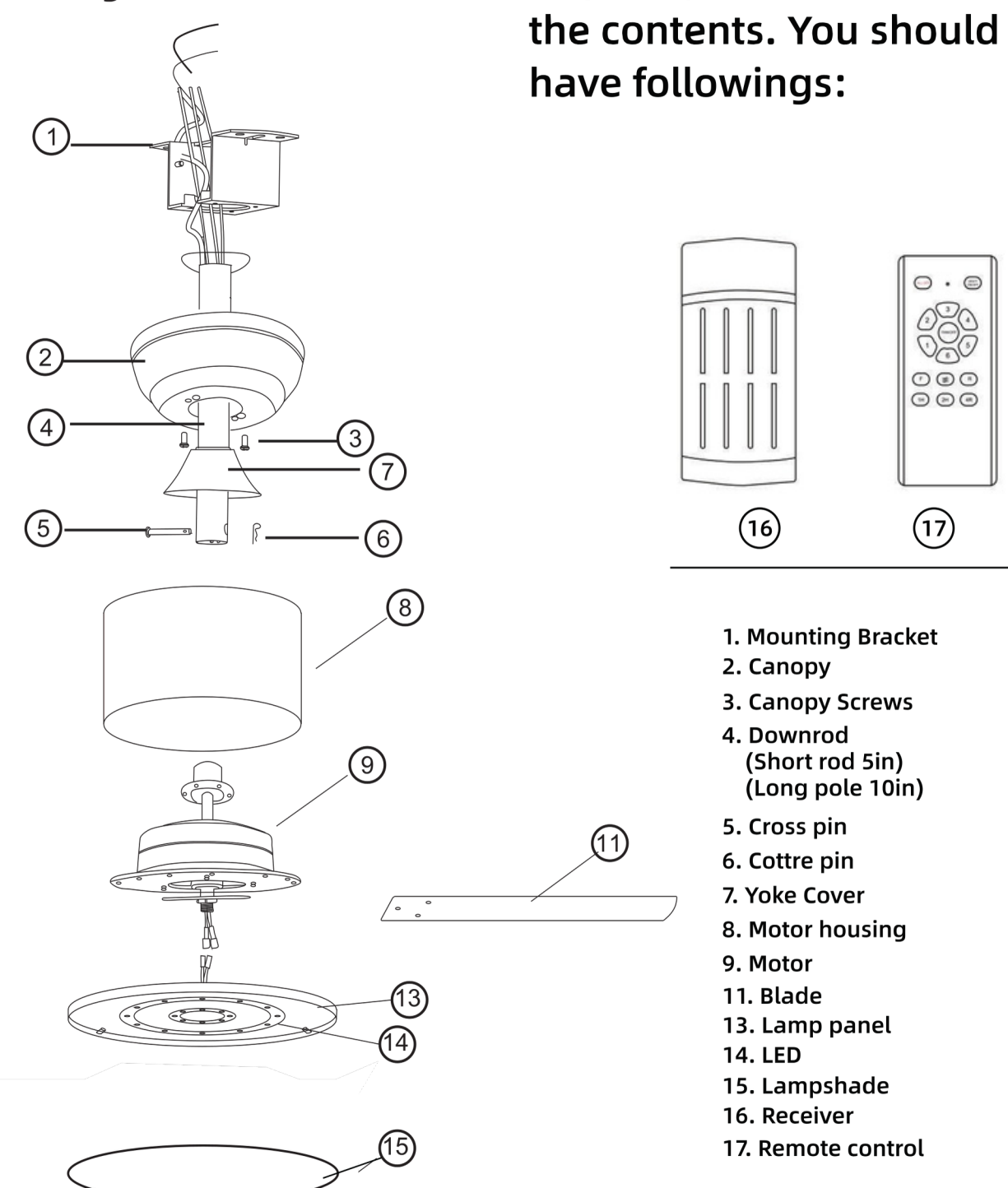
1 Before Installation

- Carefully open the package. Remove items from the box. Place the motor body on carpet or foam to avoid damage to the finish. Do not discard fan cartons or foam inserts in case of return or repair.
- To prevent injury and damage, ensure that the hanging location allows the blades a clearance and location allows the blades a clearance and of 7.6ft. (2.3m) and 20in (50cm) from any wall or obstruction.
- Generally, our ceiling fan lights can also be installed on an inclined plane, but the inclination angle cannot be greater than 18 degrees, as shown in the figure below.



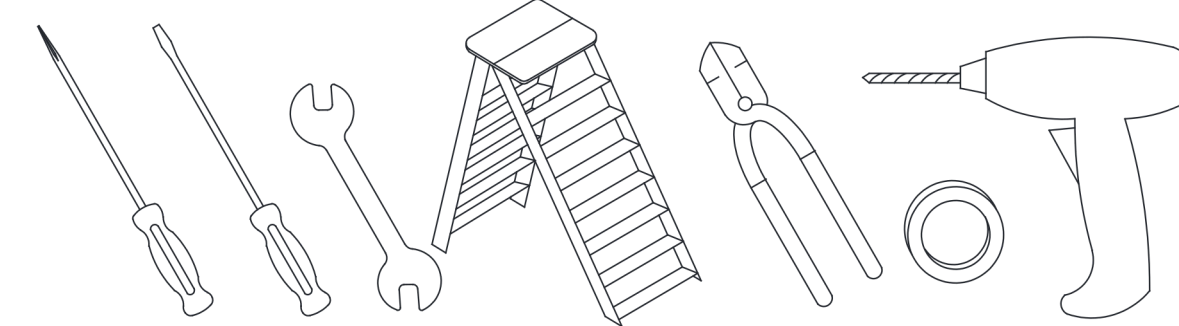
2

You should have followings:



Unpack your fan and check the contents. You should have followings:

3 Tools Needed



You may need the tools below:

- Screwdrivers
- Wrench
- Wire Strippers
- Insulation Tape
- Ladder
- Power drill

4

WOODEN CEILING

For wooden ceiling, use wood screw to drill on the wooden beam or the "junction box" to fix the hanging bracket (selection is made according to actual requirements of the customers).

STEP 1: WOODEN CEILING

SWITCH OFF THE ELECTRICAL MAINS AT THE CIRCUIT BREAKER FUSE BOX.

- 1 Use the Mounting Bracket (A) as a guide, mark the spots where the 4 Self Tapping Screws (D) will be drilled.
- 2 Remove the Mounting Bracket (A), drill 4 holes for 3MM diameter, install the mounting bracket onto wooden ceiling with the 4 Self Tapping Screws (D).

IMPORTANT: SCREWS MUST BE TIGHTENED TILL SNUG

CONCRETE CEILING

For concrete ceiling, use the percussion bit with diameter 4mm to drill holes according to the length of expansion screws. Then use the attached expansion screws to fix the hanging bracket onto the ceiling (selection is made according to actual requirements of the customers).

STEP 2: CONCRETE CEILING

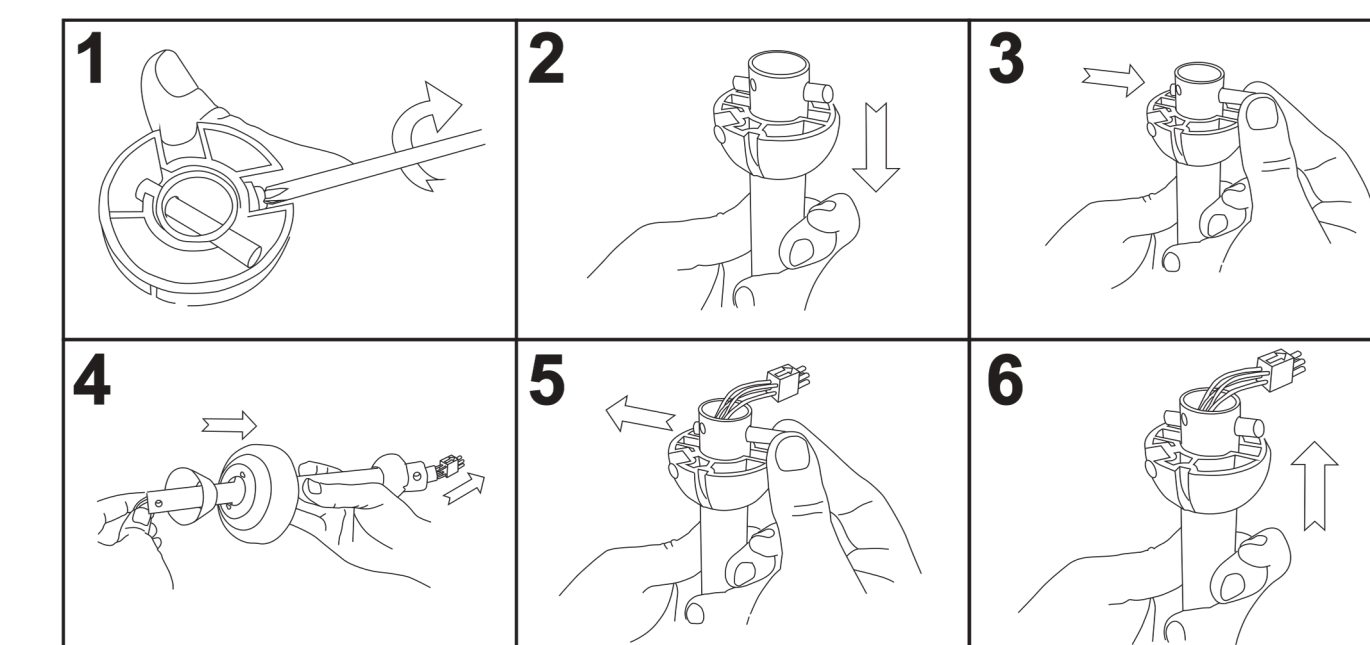
SWITCH OFF THE ELECTRICAL MAINS AT THE CIRCUIT BREAKER FUSE BOX.

- 1 Use the Mounting Bracket (A) as a guide, mark the spots where the 4 Expansion Bolts (B) will be drilled.
- 2 Remove the Mounting Bracket (A), drill 4 holes and insert 4 Expansion Bolts (B) into the concrete ceiling, install the mounting bracket and secure with Flat Washers (C), Spring Washers (D) and Nuts (E).

IMPORTANT: SCREWS & NUTS MUST BE TIGHTENED TILL SNUG

5 Install the hanging part of the ceiling fan.

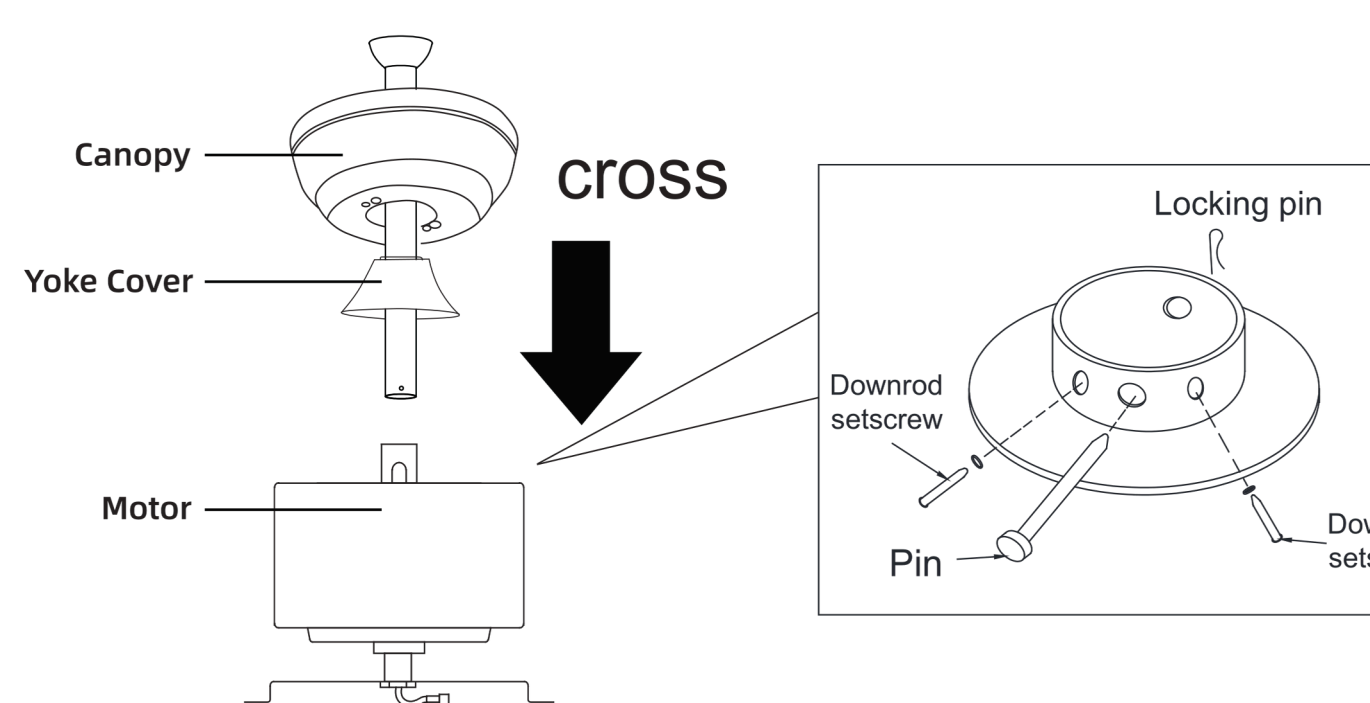
1. Install downrod assembly



REMEMBER to turn off the power. Follow the steps below to hang your fan properly:

1. Remove the lock pin and hitch pin from downrod
2. Place downrod assembly into canopy and coupling cover. Carefully feed motor wires through the downrod assembly
3. Loosen the two set screws in downrod coupling. Install coupling lock pin through coupling and downrod. Insert hitch pin into pin until it snaps into place. Tighten set screws in coupling. Slide coupling cover over the downrod coupling.

2. The lower rod is connected with the motor



Fan not responding to remote control

- Check that all wire connections are secure and made as instructed.
- Verify that power is on and reaching the receiver by a voltmeter.
- Verify that controller batteries are installed with proper polarity as indicated inside the battery cover

Light does not work

- Check wire connections at ceiling and receiver.
- Confirm that LED wire leads and terminal block are properly connected to the LED board.

Fan makes repetitive ticking noise

- Check for obstructions in the rotor path.
- Make sure mounting hardware at the ceiling is secure.
- Make sure all other hardware and blade attachments are tight.

WARNING

Before servicing or cleaning your fan, switch power off at the service panel and lock the service disconnecting means to prevent power fr

Dear Buyer

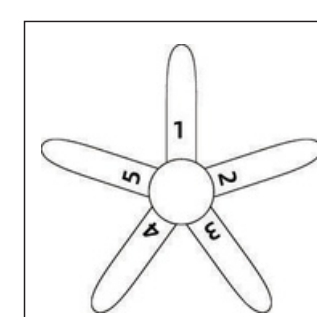
Thank you for your support and choice

Product Problem:

* Ceiling fan Shaking:

1. Check whether the cam ball is tightened with screws
2. Check whether the lifting head screws are tightened
3. Check whether the three fan blades are evenly distributed (see whether the gap between the fan blades is the same size)
4. Check whether there is a balance patch in the black package, Can be used to adjust the balance of fan blades.

11 Fans Balance



How to use the Rubber Plastic Balance Kit

1. Ceiling fan blade rubber plastic balance kit to easily locate problem areas and self-adhesive 5 gram weight to help correct wobble. Ceiling fan balancing kits not only help prevent ceiling fan wear, but also reduce noise.

They can be cut into small pieces and combined into other weight groups as desired, such as 1g, 2g, 3g and 4g.

Method:

- (1) Turn o the fan, select a blade and place a balance clip on it (between the blade holder and the blade tip at the trailing edge of the blade)
- (2) Turn on the fan, check if the jitter is improved, turn o the fan again, move the clips to the other blades one by one and repeat the above steps for all blades until the blade with the greatest improvement is found, then REMARK IT.
- (3) Paste a thin strong self-adhesive 5g counterweight to the position where the clip is located. You can split the weights if necessary.

Maintenance

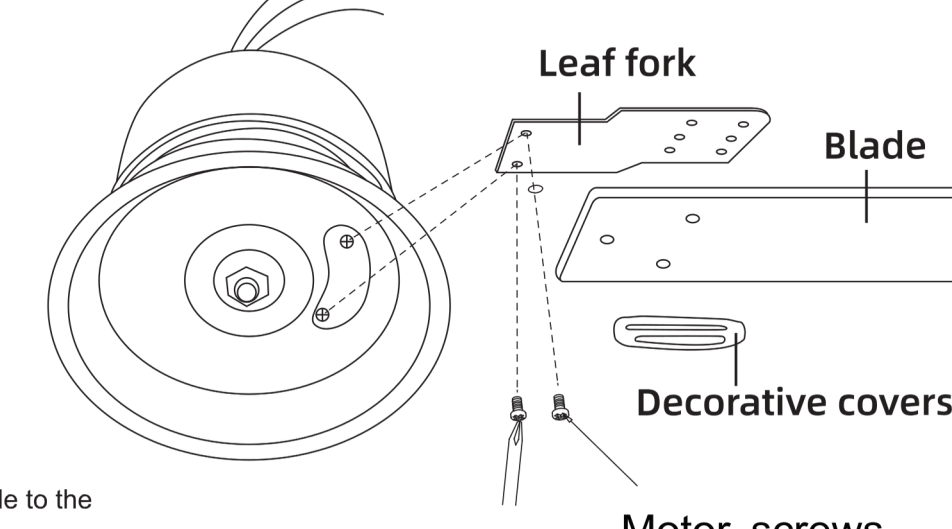
Here are some suggestions to help maintain your fan

- Because of the fan's natural movement, some connections may become loose. Check the support connections, brackets, and blade attachment twice a year. Make sure they are secure.
- Clean your fan periodically to help maintain its new appearance over the year. Do not use water when cleaning. This could damage the motor, or possibly cause electrical shock.
- Use only a soft brush or lint-free cloth to avoid scratching the finish. Cleaning products may damage the finished.
- There is no need to oil your fan. The motor has permanently lubricated bearings.
- If installed in a coastal, humid environment, regular surface cleaning may be necessary to avoid deterioration or oxidizing effects of salt or other corrosive elements. A Damp Location rating is not an assurance of finish durability. Preventative measures should be taken depending on the environmental exposures your fan will undergo to preserve and protect the finish quality and appearance of your fan.

Please read all installation instructions carefully. After reviewing the following tips, if you are unable to solve a problem, please contact customer service for additional assistance.

7 Blade Installation

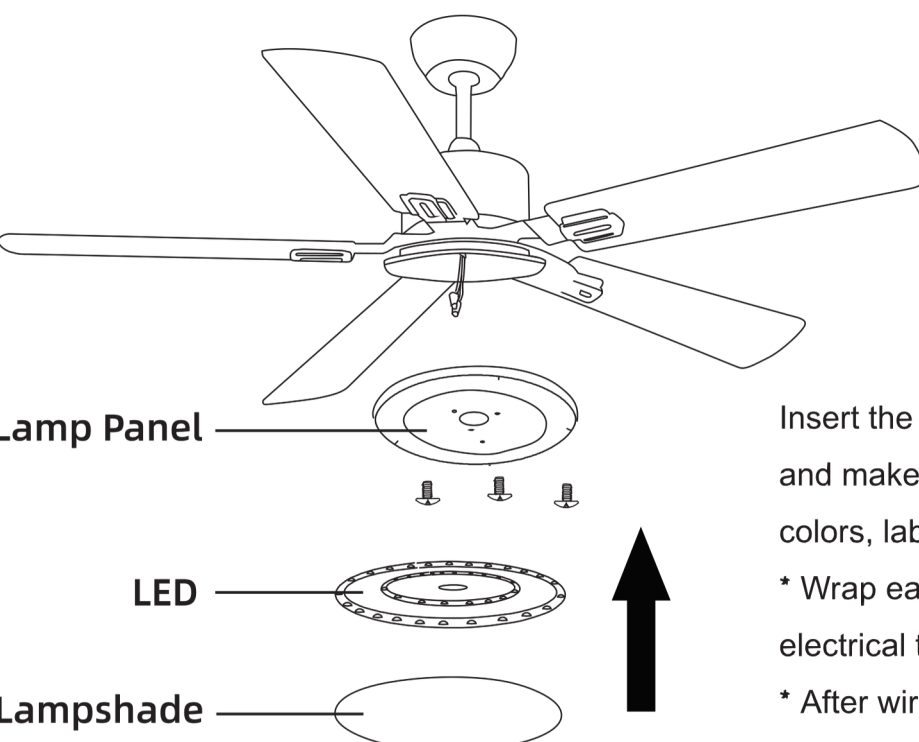
Insert a blade screw from the package through the blade hole and position it under the motor so that the screw is aligned with the "center" hole position of any group of two screw holes.



Using the screwdriver to secure the blade to the motor, but do not over tighten. Repeat for the rest blades. Once all blades screws are in place, gently tighten all screws with the screwdriver.

Note: INSTALL THE BLADE FORK ON THE SAME SIDE, OTHERWISE THE CEILING FAN WILL Wobble

8 Installation of Light Kit



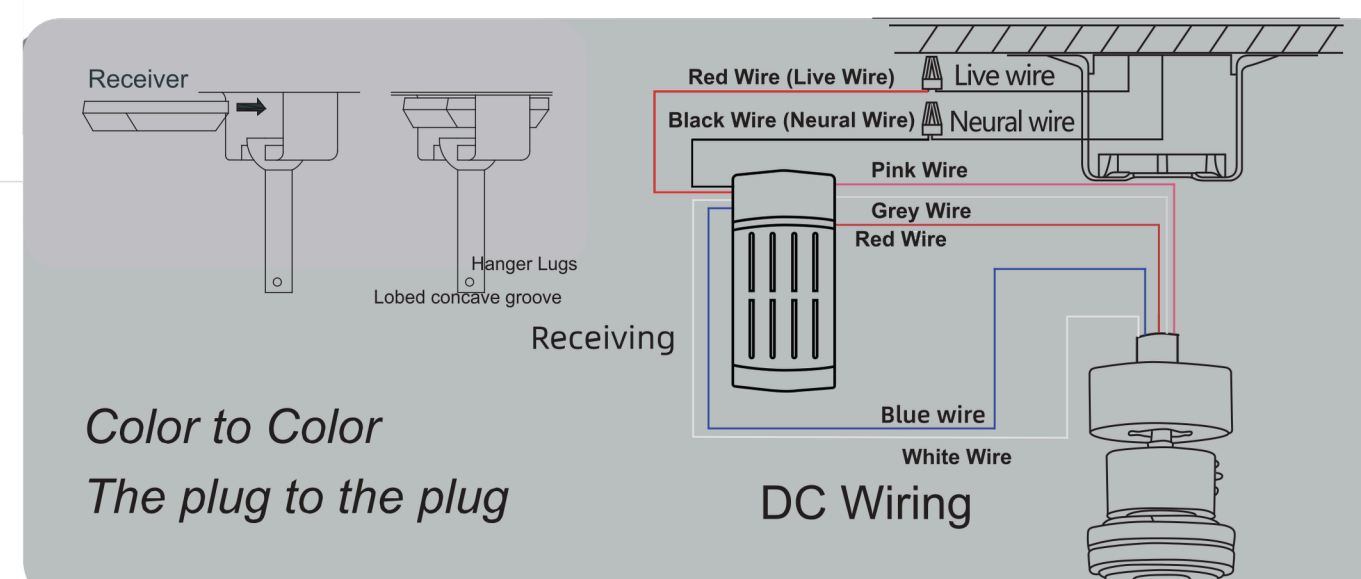
Insert the receiver into the top of the fan body and make wire connections according to wire colors, labels, and diagram above.

* Wrap each wire connector separately with electrical tape as an extra safety measure.

* After wiring finished, leave the receiver in the bracket and secure it the electrical tape then secure the canopy to the bracket

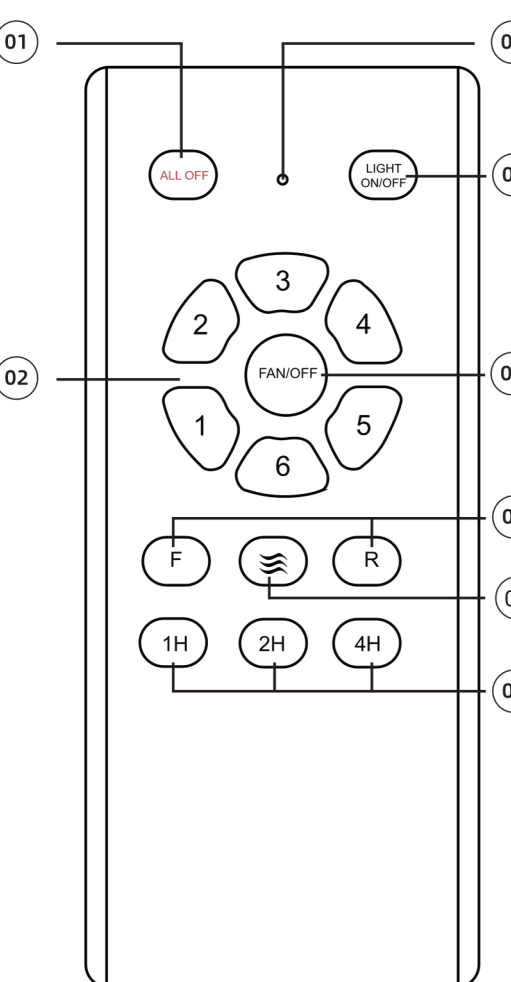
9 Wiring

Insert the receiver into the top of the fan body and make wire connections according to wire colors, labels, and diagram above.



Color to Color
The plug to the plug

10 Function Instruction of Emitter



1. Turn o all Loads
2. Fan Speed Control
3. LED Indicator Light
4. Turn On the Light
5. Fan O (Include Wind Speed and Lights)
6. Fan Forward and Counter Rotation Control
7. Fan Timing Control
8. Naturl Wind