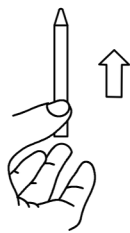
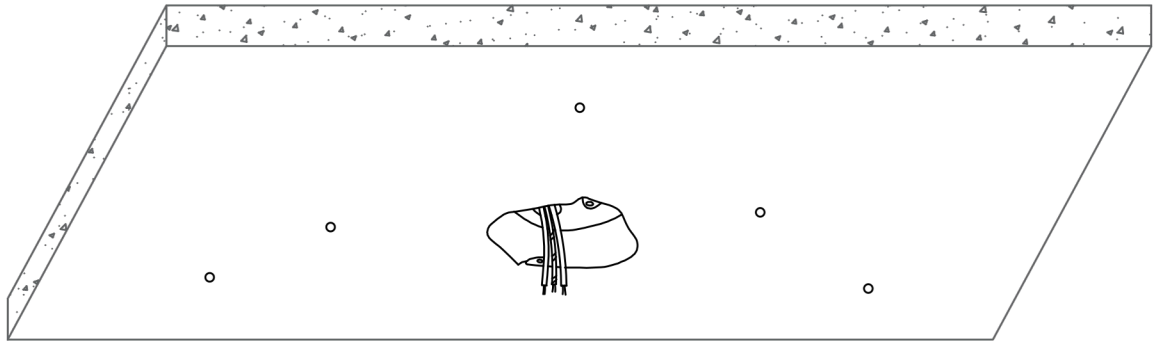
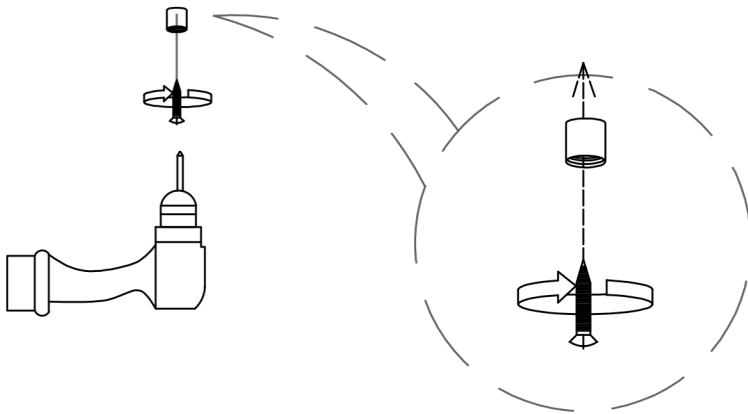
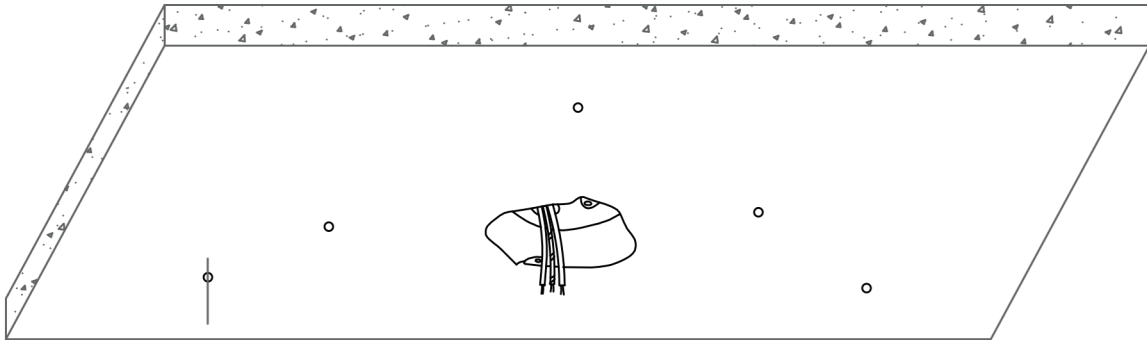


1

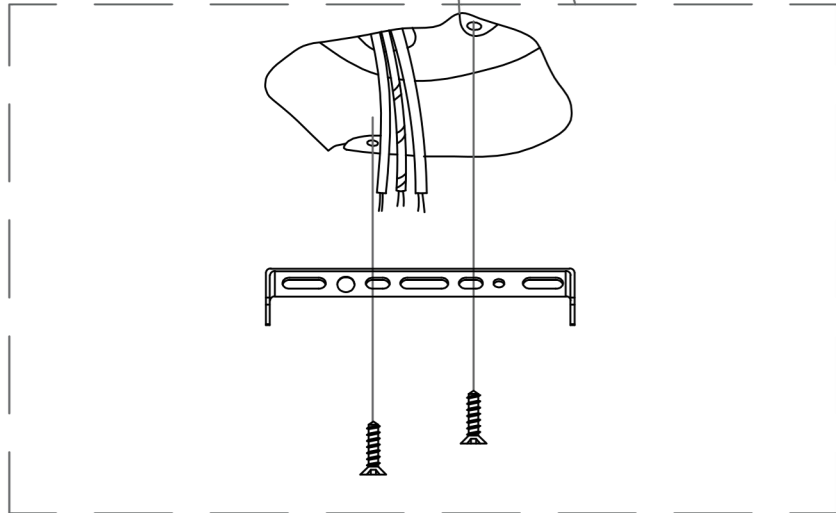
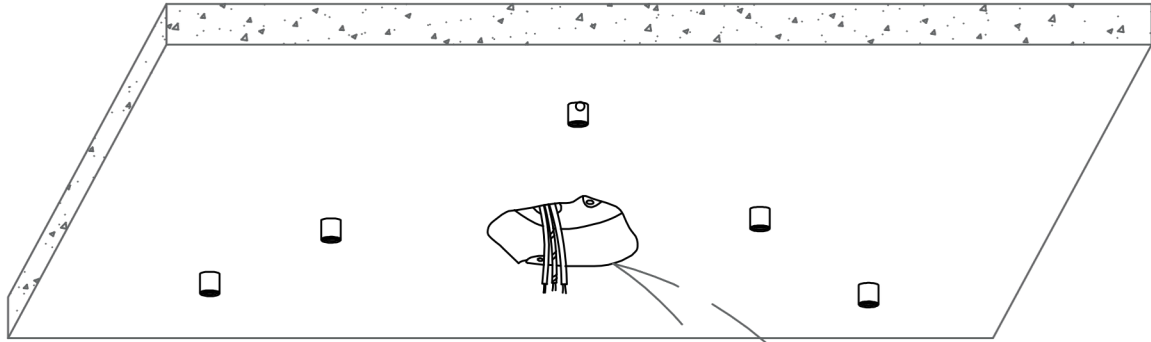


Mark the locations where holes need to be drilled on the ceiling

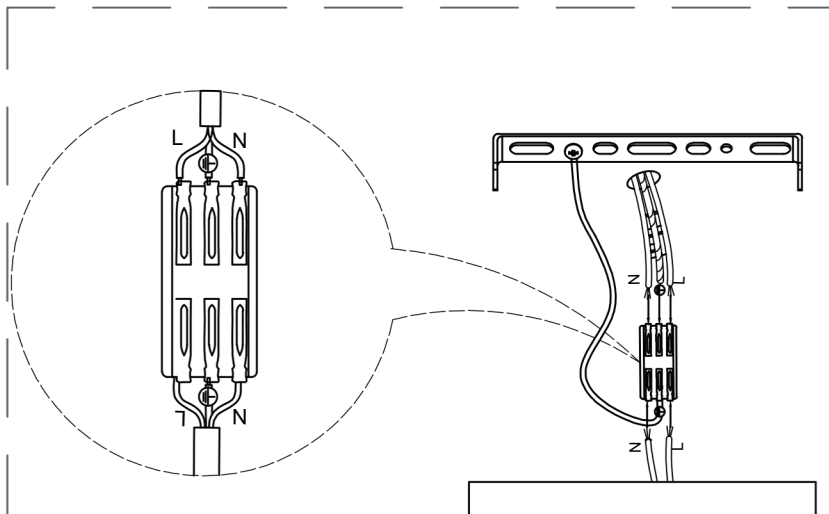


Use screws to fix the small ceiling box to the marked area on the ceiling

2

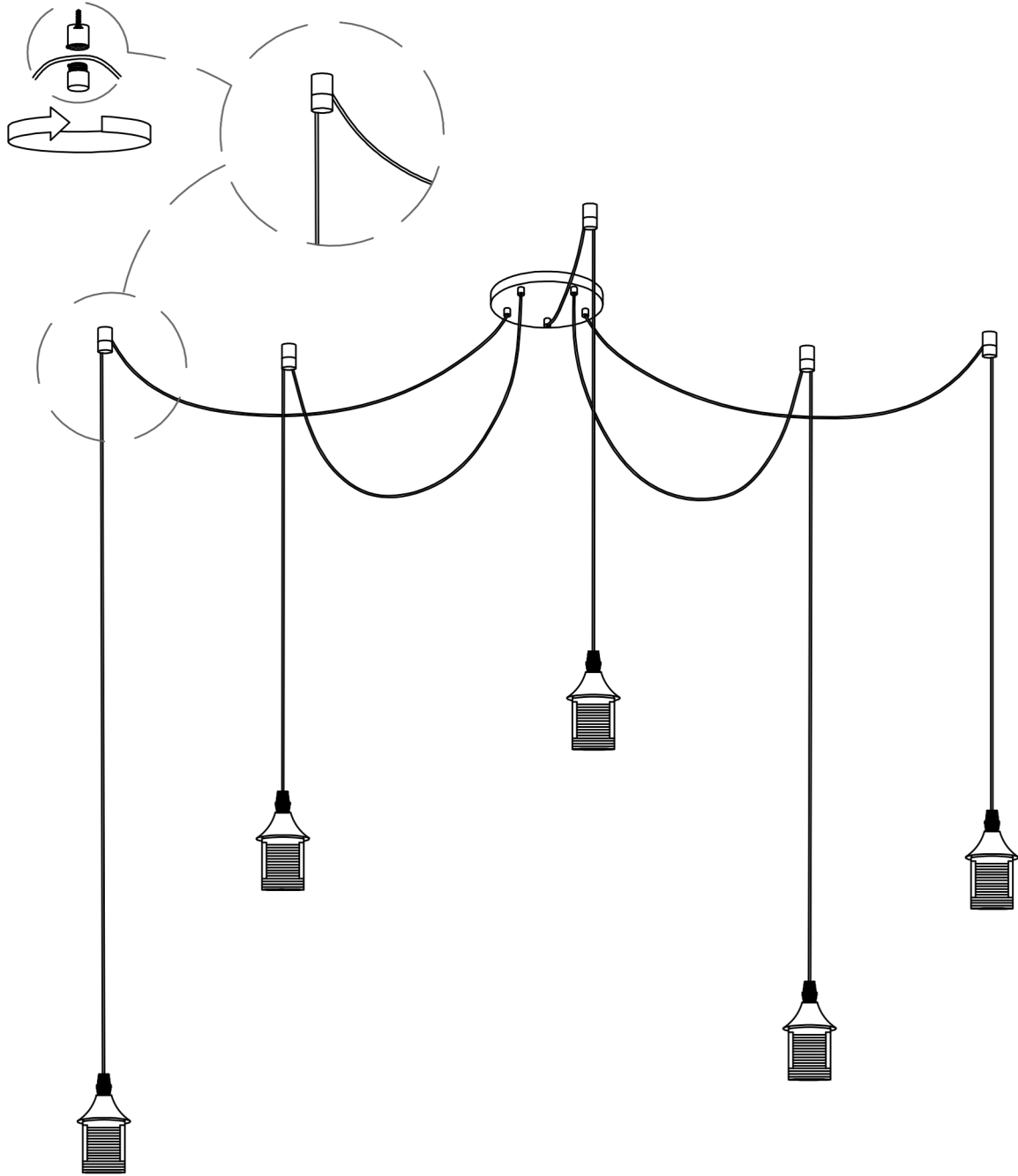


Fasten the hanging board to the ceiling with screws

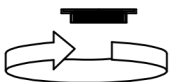
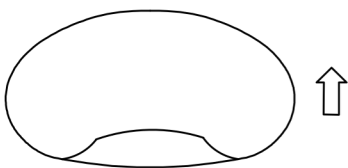
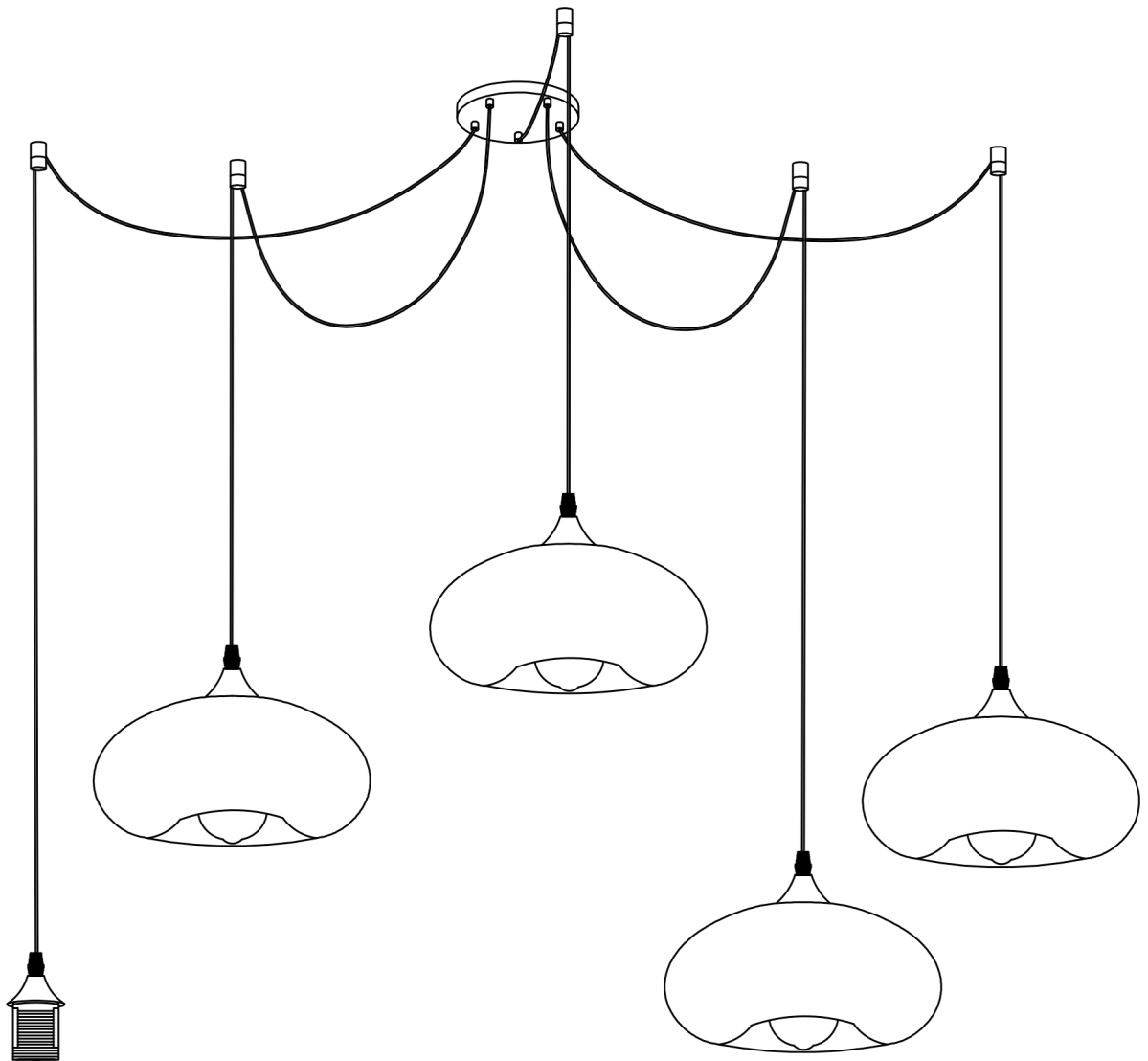


The wires in the home are connected to the wires in the lamps through the wire terminals

3



4



Installing light source
and lampshade

