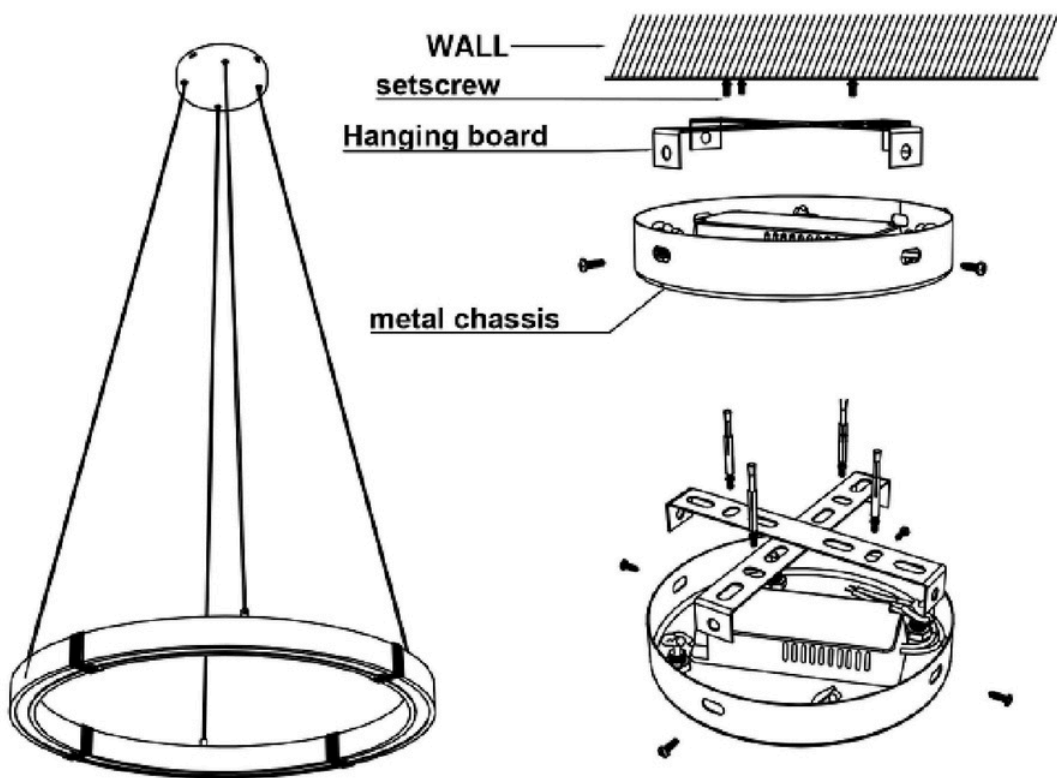


Installation Instructions



Installation step

Step 1: Before installation, check whether the lamps are in good condition, and connected to the power supply, test lamps and lanterns is No normal light.

Step 2: Use a marker or pencil to hold it. The hole position of that mount fixing screw is mar on the ceiling Drill a hole at the position just marked and inflate it.

Expansion screw set. Then put the electricity behind the chassis The source wire is connected to the circuit, and finally the chassis is used.

The expansion screw is fixed on the ceiling, and another Power-on test, chassis installation completed.

Important Notes

Turn off the power before operating to avoid the risk of electric shock.

When the chandelier weighs more than 3 kg, it must be reinforced using embedded hooks or metal brackets.

The lowest point of a chandelier should be at least 2.2 meters from the floor to avoid obstructing the view. In a dining room, the chandelier should hang directly above the table, 75-90 cm above the surface.

Gypsum board ceiling: Need to install additional load-bearing beams or conversion frames to disperse the weight of lighting fixtures.

Dimmable pendant lights: Must be paired with compatible dimmer switches to avoid circuit conflicts.